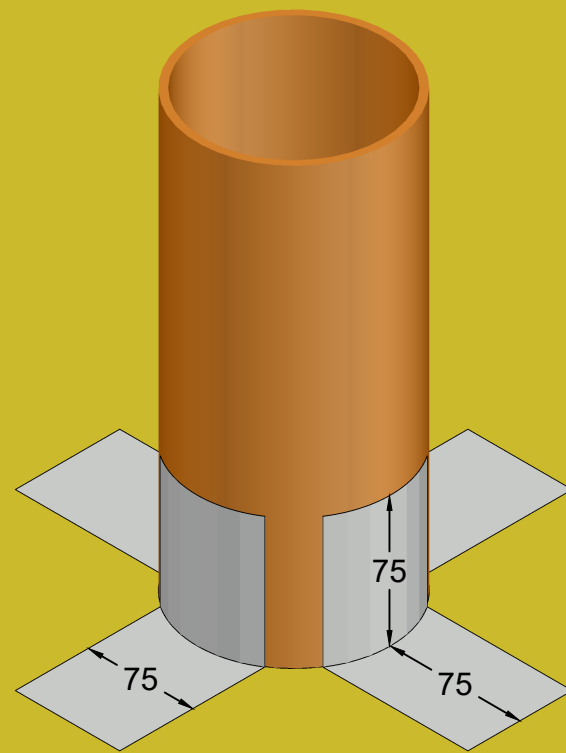


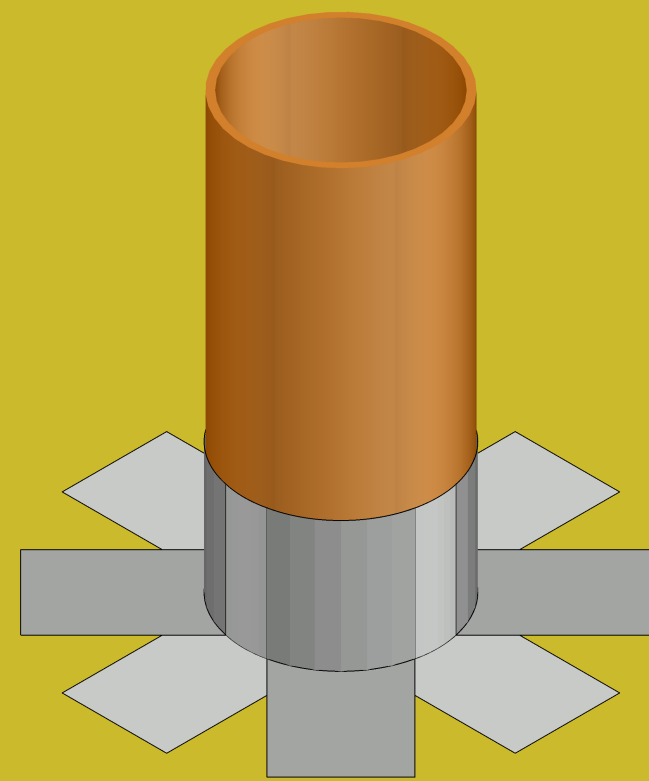
1

Ensure surface of pipe is clean and free from any contamination. Cut Visqueen High Performance Damp Proof Membrane to fit tight around base of pipe.



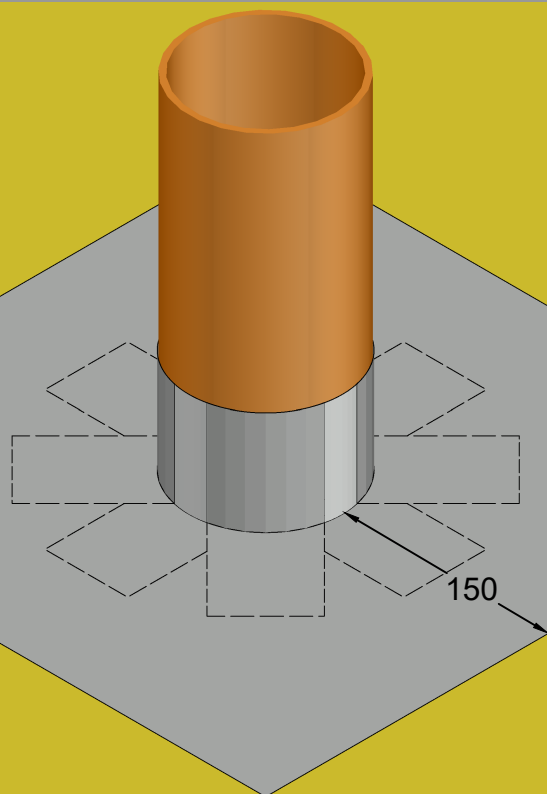
2

Bond 150mm x 75mm strips of VisqueenPro Detailing Strip as shown. Strips to be bonded 75mm onto pipe and 75mm onto membrane.



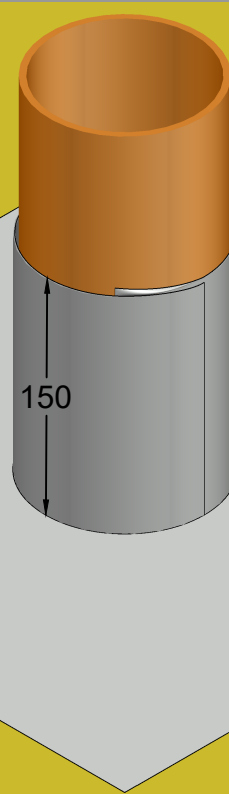
3

Bond additional strips overlapping previous strips by minimum 25mm.



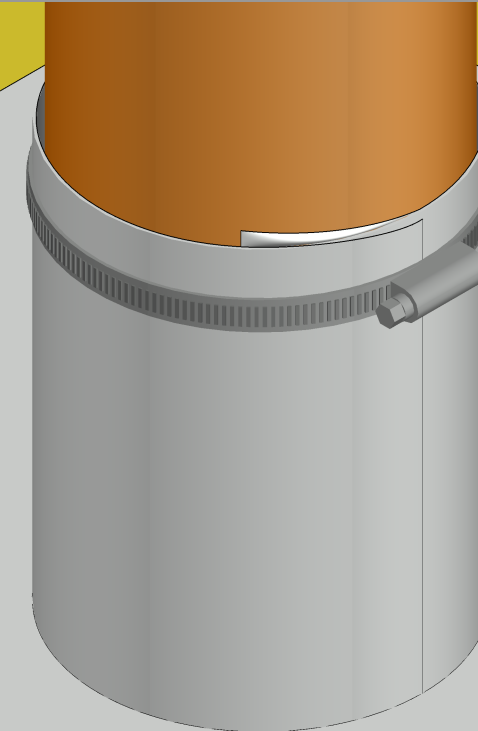
4

Cut central hole in a square of detailing strip. Square to extend minimum 150mm beyond base of pipe. Bond over horizontal strips and membrane.



5

Bond minimum 150mm detailing strip upstand collar around vertical strips and pipe.



6

Secure upstand collar with a mechanical fastening.

CRITICAL GUIDANCE NOTES

Visqueen Guidance Details are for illustration purposes only. It is the lead designer's responsibility to ensure Guidance Details are incorporated correctly into construction drawings.

Visqueen take no project design liability, or responsibility for the use of Guidance Details. Visqueen have no control over the situation in which the products are installed. Visqueen provide a Contract Design Service where project specific drawings can be produced. Contact Visqueen Technical Services for further information.

Site construction sequencing should be assessed before the appropriate Guidance Detail is selected and approved by the lead designer.

Designer/contractor to ensure that all stakeholders accept the approach shown in this Guidance Detail prior to implementation on site.

All Visqueen materials must be installed in strict accordance with the Visqueen product datasheets and applicable 3rd party certificates.

Each stage of the VisqueenPro Detailing Strip installation to be rolled to ensure a full bond is achieved.

Visqueen TreadGUARD protection layer above membrane required as per specification.

Drawing not to scale, use figured dimensions only. All figured dimensions are in millimetres.

The information in this Guidance Detail was correct at the time of publication. It is the user's responsibility to obtain the latest revision which supersedes all previously published revisions.

Guidance Detail

Date: November 2023

Drawing No: HP DPM-81

Revision: Drawn by: JR

Approved by: SD


 Tel: 0333 202 6800
 enquiries@visqueen.com
 www.visqueen.com

© Copyright reserved. This drawing may not be reproduced or amended without prior written permission.

VISQUEEN

HIGH PERFORMANCE
DPM

**SERVICE PIPE DETAILING USING
VISQUEENPRO DETAILING STRIP
STEP BY STEP**